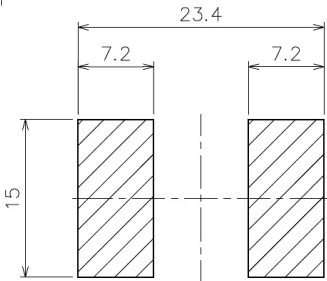
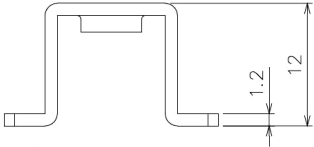
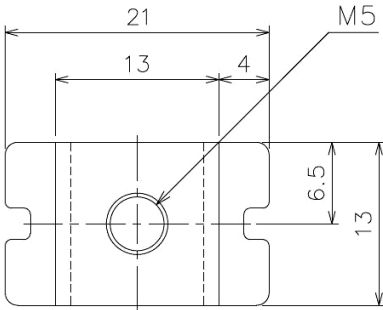


OT-004-M5

85A
Surface Mount P.C.



Recommended Pad Layout

