

# Brand New! Unique Product Development!

Medium-Power Thru-Panel Terminal Block

Pitch: 11mm

300 Volts / 25 Amps

**PART#:**

**OGM-300NE**

**Type:**

Medium-Power Thru-Panel

**Features:**

Thru-Panel Barrier Construction

**Applications:**

Suitable for:  
 Motor Controls  
 Electric Heaters  
 Industrial Controls  
 Pumps  
 Power Supplies  
 Lighting

**Electrical**

**Rated Voltage:**

300V

**Rated Current:**

25A

**Wire Size:**

14-22 AWG

**Operating Temperature:**

-40C to +90C

**Materials**

**Housing:**

Polycarbonate (UL94V-0)

Standard Color: Black

**Cover:**

Polycarbonate (UL94V-0), Clear

**Terminal:**

Brass, Nickel-Plated

**Positions Available:**

2-23

**Screw Size:**

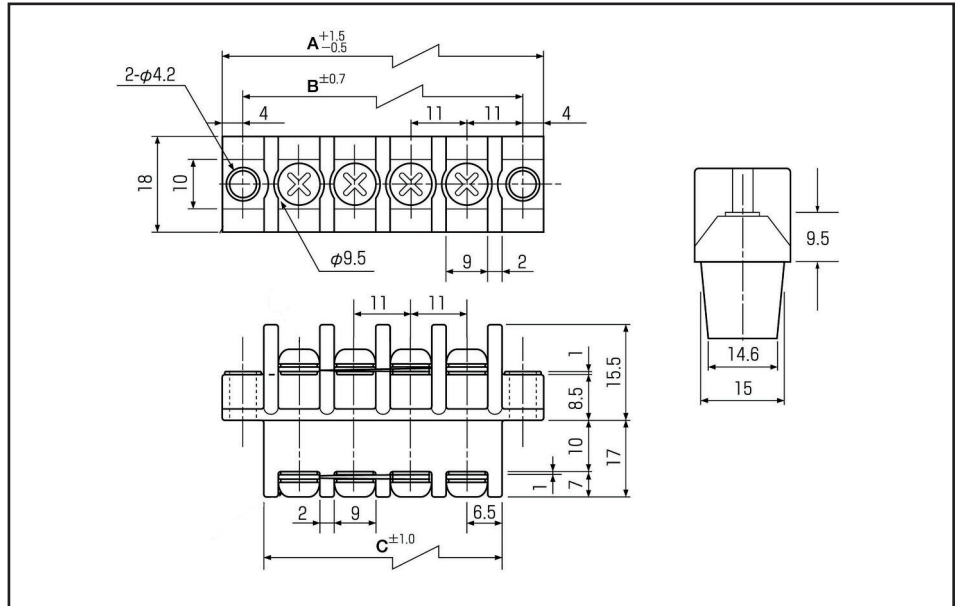
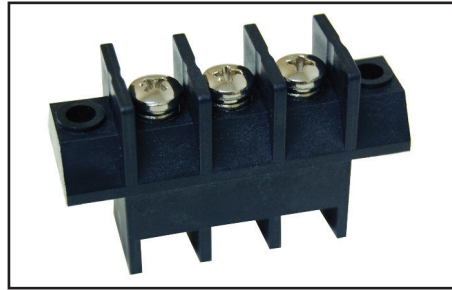
M4, Brass, Nickel-Plated

**Withstanding Voltage:**

AC2000V

**Torque:**

1.2 lbs. per inch



**BlockMaster Electronics' new OGM-300NE Series are medium-power, thru-panel terminal blocks available in 2-23 positions.**

**BlockMaster's OGM-300NE series are perfect for interfacing internally wired products to the outside world. Each terminal has a screw with lockwasher for convenient field wiring. Suitable for motor controls, electric heaters, industrial controls or any medium-power field wiring to control box application.**



**HOW TO ORDER:**

**OGM-300NE- [ ] -P**

**Poles  
2-23**



World Class Terminal Blocks

4/09/08

1400 Howard Street Phone: (847) 956-1680  
 Elk Grove Village, IL 60007 Fax: (847) 956-1690

[www.BlockMaster.com](http://www.BlockMaster.com)