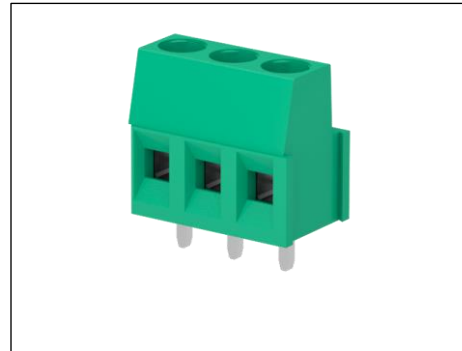


**SCOPE:** This specification applies to – MSGXX001 – Terminal Block



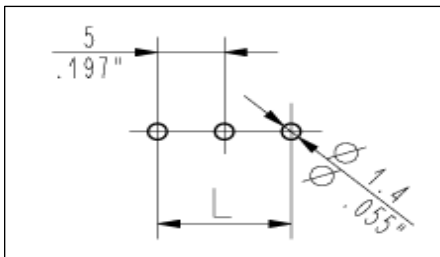
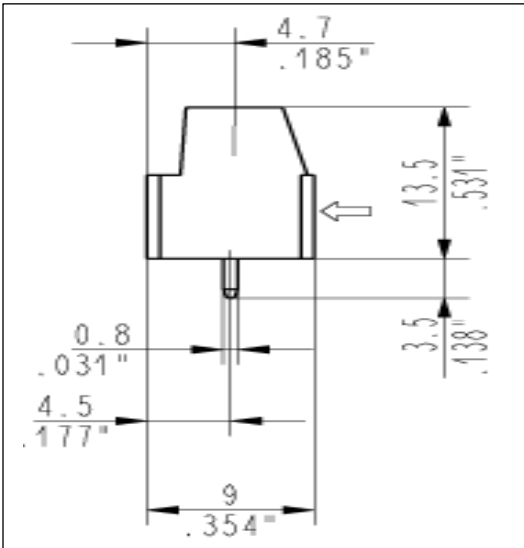
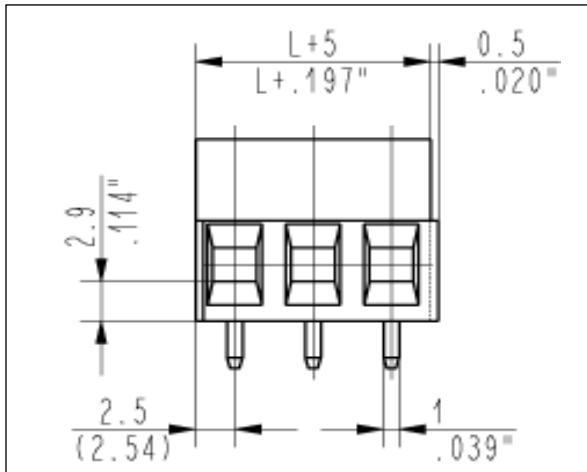
**SPECIFICATIONS:**

- Number of poles: 2 – 25
- Sides configuration: Modular
- Pitch: 5 mm
- Voltage: 300V
- Current: 17.5 A
- Wire section: 0.05 - 1.5 mm<sup>2</sup> / 30 - 14 AWG
- Available approvals: UL, VDE, IMQ, CSA
  
- Screw dimensions: M3
- Recommended tightening Torque: 0.5 Nm
- PCB thickness: 2.4 mm
- Stripping length: 6.5 mm
- Operating temperature range: -40°C to + 105°C
- Contact resistance: <15 mOhm
- Insulation resistance: >1 GOhm



- Screw material: Nickel-plated copper alloy
- Terminal contact: Nickel and tin on copper alloy
- Clamp tightening: Nickel-plated copper alloy
- Insulating housing material: PA polyamide
- Color: Green (Standard)

**DIMENSIONS:**



<p><b>BlockMaster</b> Confidential and Proprietary</p>	<p><b>BlockMaster Electronics</b> 1400 Howard Street Elk Grove Village, IL. 60007 Toll Free: 800-595-8881 FAX: 847-956-1690 <a href="http://www.blockmaster.com">www.blockmaster.com</a></p>
<p>All dimensions are in MM unless otherwise specified</p>	
<p>Drawing Number: <b>MSGXX001</b></p>	<p><b>Terminal Block</b></p>
<p>Date: 6/11/2017</p>	<p>THE INFORMATION DISCLOSED HEREIN WAS ORIGINATED BY AND IS THE PROPERTY OF BLOCKMASTER ELECTRONICS INC. AND EXCEPT FOR USE EXPRESSLY GRANTED TO THE UNITED STATES GOVERNMENT BLOCKMASTER ELECTRONICS INC. RESERVES ALL PATENT PROPRIETARY DESIGN, USE, SALE, MANUFACTURING AND PRODUCTION RIGHTS THERETO. THIS DOES NOT APPLY TO VENDOR.</p>