

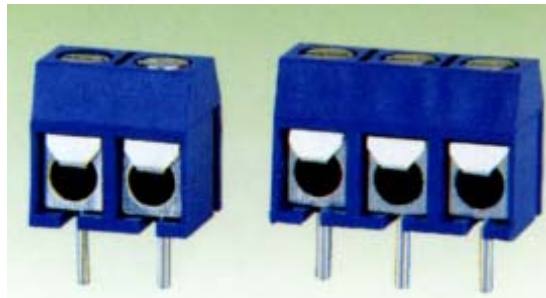
Specifications: **DGWG10V1**

15A 300V

5 mm and 10.0mm

Features:

- Economical wire protector products
- 2 and 3 positions modular
- Machined type inserts
- Low profile block
- Vertical wire entry
- Wire protector system
- Black and blue available as standard colors



Electrical:

Current: 15A @ 300V
 Wire Range: 14 - 22 AWG
 Pin dimension: $\phi 1.00\text{mm}$
 CR: $>20\text{m}\Omega$
 IR: $>50000\text{m}\Omega$ (1000V DC)
 Operating Tem: -30°C to $+105^\circ\text{C}$
 Stripping Len: 4.5 lbs-in.
 Torque: Min $\phi 1.30\text{mm}$
 PCB holes:

Materials:

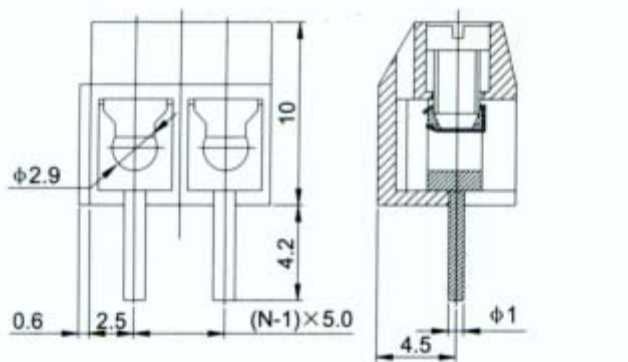
Housing: PBT, UL 94V-0
 Wire Guard: Stainless steel
 Terminal: Brass, Tin plated
 Screw: M2.5, steel, zinc plated
 Colors: Black and Blue

Marking:

Adhesive marking strips not available.
 Ink marking available by request.

Ordering Information:

DGWG10V1 - Positions - Color



N=Number of contacts

