

SCOPE: This specification applies to – CTMXX0P7 - Header

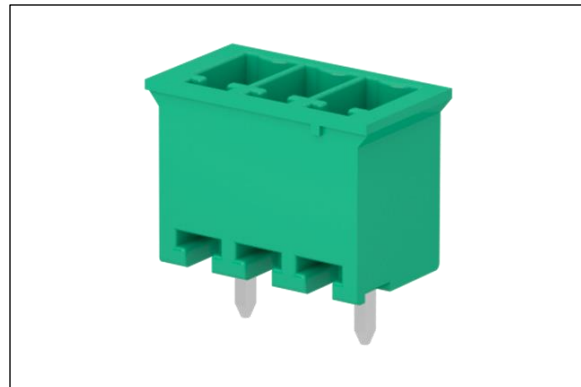
SPECIFICATIONS:

Number of poles: 2 - 13
 Sides configuration: Polarized
 Pitch: 7.62mm
 Voltage: 300V
 Current: 11A
 Wire section: 0.05 – 1.5 mm² / 30 – 14 AWG
 Available approvals: UL, CSA, IEC, IMQ

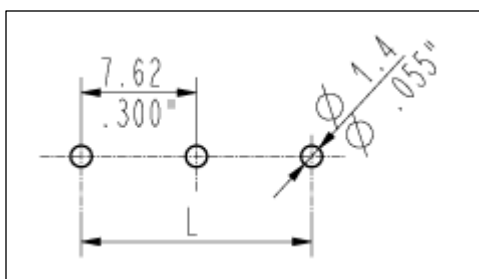
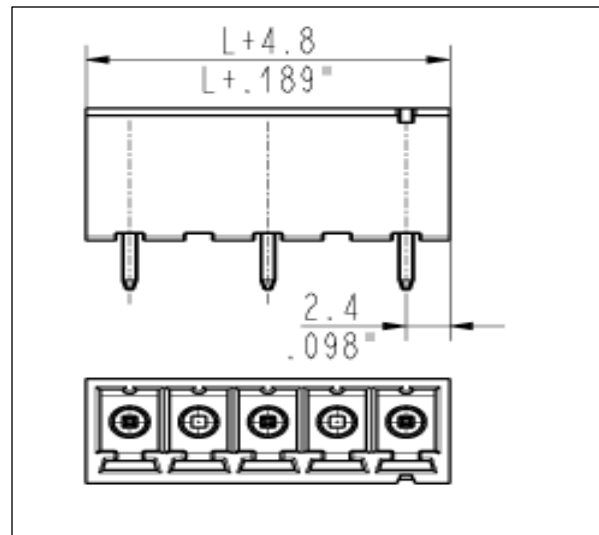
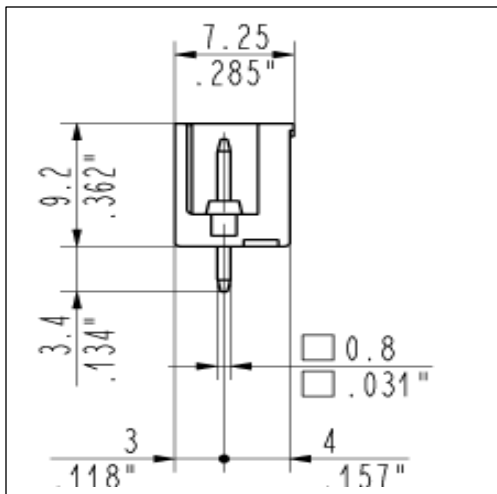


Insertion force per pole: max. 3 N
 Withdrawal force per pole: min. 1,5 N
 Recommended tightening Torque: 0.25 Nm
 PCB thickness: max: 2.4 mm
 Operating temperature range: - 40°C to +105°C
 Contact resistance: <15 mOhm
 Insulation resistance: >1 GOhm

Terminal contact: Nickel and tin on copper alloy
 Insulating housing material: PA polyamide
 Color: Green (Standard)



DIMENSIONS:



Mates with:

CTF series
CKF series
CBF Series

<p align="center">BlockMaster Confidential and Proprietary</p>	<p align="center">BlockMaster Electronics 1400 Howard Street Elk Grove Village, IL. 60007 Toll Free: 800-595-8881 FAX: 847-956-1690 www.blockmaster.com</p>
<p align="center">All dimensions are in MM unless otherwise specified</p>	
<p>Drawing Number: CTMXX0P7</p>	<p align="center">Header</p>
<p>Date: 6/11/2017</p>	<p><small>THE INFORMATION DISCLOSED HEREIN WAS ORIGINATED BY AND IS THE PROPERTY OF BLOCKMASTER ELECTRONICS INC. AND EXCEPT FOR USE EXPRESSLY GRANTED TO THE UNITED STATES GOVERNMENT BLOCKMASTER ELECTRONICS INC. RESERVES ALL PATENT PROPRIETARY DESIGN, USE, SALE, MANUFACTURING AND PRODUCTION RIGHTS THERETO. THIS DOES NOT APPLY TO VENDOR.</small></p>