

**SCOPE:** This specification applies to – **CSFXX002 - Plug**

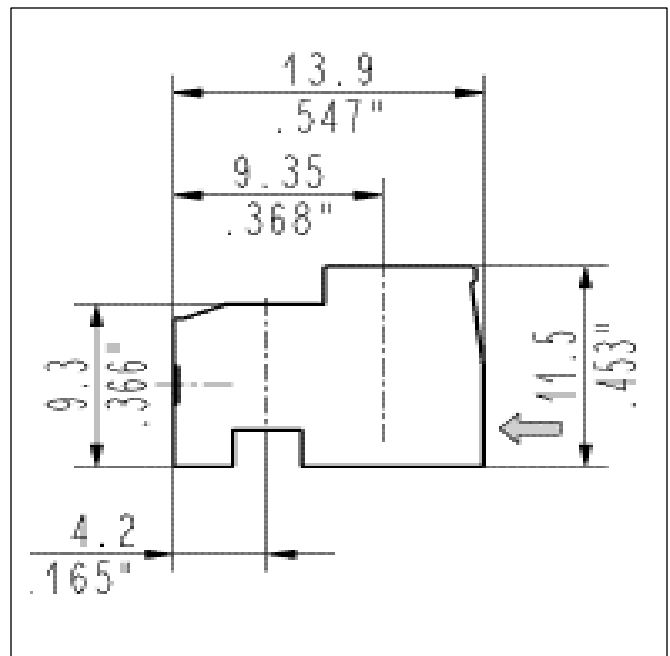
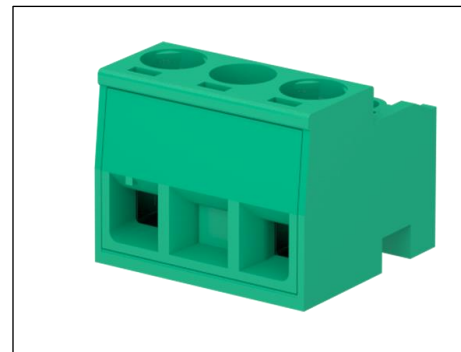
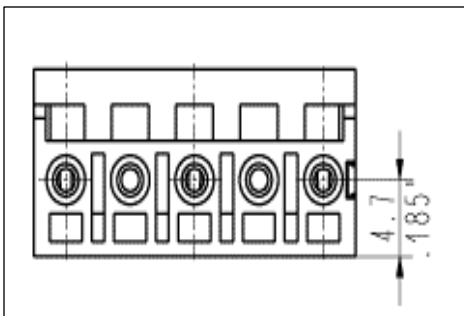
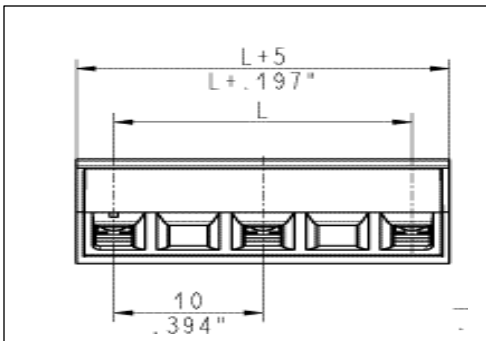
**SPECIFICATIONS:**

Number of poles: 2 -13  
 Sides configuration: Side stackable female  
 Pitch: 10 mm  
 Voltage: 600V  
 Current: 12A  
 Wire section: 0.05 - 2.5 mm<sup>2</sup> / 30 - 14 AWG  
 Available approvals: UL, VDE, IMQ, CSA

Screw dimensions: M3  
 Insertion force per pole: max. 3 N  
 Withdrawal force per pole: min. 1,5 N  
 Recommended tightening torque: 0.6Nm  
 Stripping length: 6 mm  
 Operating temperature range: - 40°C to +105°C  
 Contact resistance: <15 mOhm  
 Insulation resistance: >1 GOhm

Screw material: Nickel-plated copper alloy  
 Spring contact: Tin-plated copper alloy  
 Clamp tightening: Nickel-plated copper alloy  
 Insulating housing material: PA polyamide  
 Color: Green (Standard)

**DIMENSIONS:**



**Mates with:**  
**CSM series**  
**CSMH series**  
**CSMD series**

<p align="center"><b>BlockMaster</b>                  Confidential and                  Proprietary</p>	<p align="center"><b>BlockMaster Electronics</b>                  1400 Howard Street                  Elk Grove Village, IL. 60007                  Toll Free: 800-595-8881 FAX: 847-956-1690  <a href="http://www.blockmaster.com">www.blockmaster.com</a></p>
<p align="center">All dimensions are in MM unless otherwise specified</p>	
<p>Drawing Number:  <b>CSFXX002</b></p>	<p align="center"><b>Plug</b></p>
<p>Date:  6/11/2017</p>	<p><small>THE INFORMATION DISCLOSED HEREIN WAS ORIGINATED BY AND IS THE PROPERTY OF BLOCKMASTER ELECTRONICS INC. AND EXCEPT FOR USE EXPRESSLY GRANTED TO THE UNITED STATES GOVERNMENT BLOCKMASTER ELECTRONICS INC. RESERVES ALL PATENT PROPRIETARY DESIGN, USE, SALE, MANUFACTURING AND PRODUCTION RIGHTS THERETO. THIS DOES NOT APPLY TO VENDOR.</small></p>