

HIGH POWER MODULAR / DIN-Rail or PANEL MOUNT DISTRIBUTION BLOCK

PANEL DISTRIBUTION POWER BLOCK

600 VOLTS/115 AMPS

SERIES

HP-ATA – 115B □ - □ P

Type:

DIN-Rail or Panel Mount

Features:

- 1-4 Poles (Modular)
- Clear Plastic Safety Cover (Optional)

Applications:

- Suitable for:
- Industrial Control Panels
- HVAC Equipment
- Standby Generators
- Elevator Equipment
- Switch Gear
- CNC Equipment

Electrical

Rated Voltage:

600V

Rated Current:

115A

Torque

2~3 AWG	50 LB/IN
4~6 AWG	45 LB/IN
8 AWG	40 LB/IN
10~14 AWG	35 LB/IN
10~18 AWG	7 LB/IN

Operating Temperature:

-20°C to +125°C

Materials

Housing:

PBT (UL94V-0)

Cover:

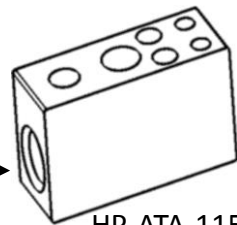
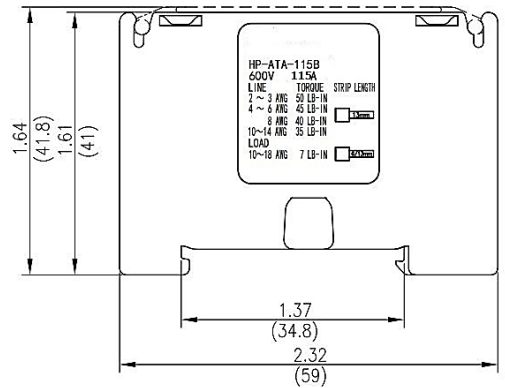
Polycarbonate (UL94V-0)

Terminals:

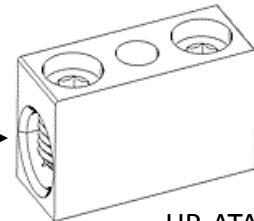
Aluminum

Withstanding Voltage:

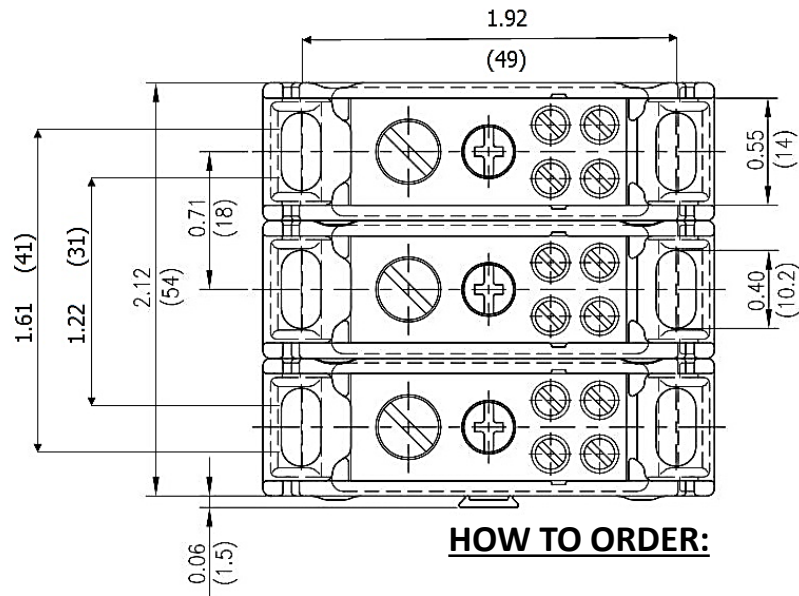
AC 2,500 V / 1 Min.



8-36 UNF



5/16-24 UNF



HOW TO ORDER:

HP-ATA – 115B □ - □ P - □ CL1

↓ ↓ ↓

Style Poles Clear Cover (Optional)

01-04

