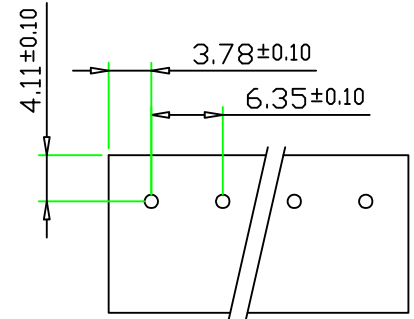
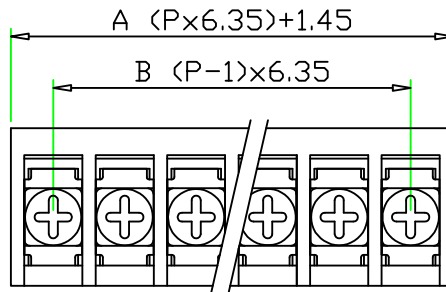
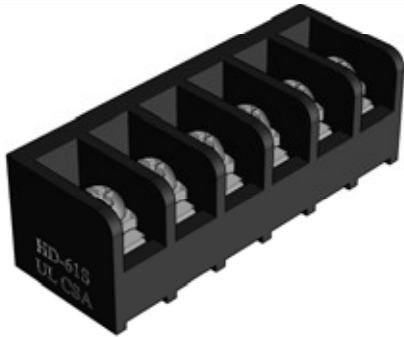


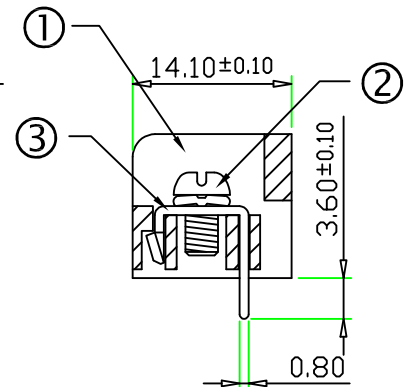
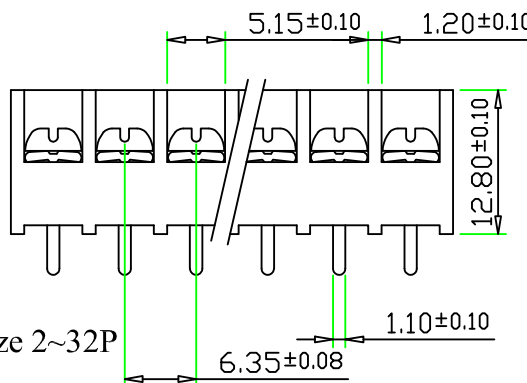
Closed Barrier type terminal block



Part Number:

HD-611-P

Pole Size 2~32P



SPECIFICATIONS

- ① Housing Material: Polyamide 66(UL94V2), Black
- ② Screw: M3.0 Nickel Plated Steel
- ③ Terminals: Tin Plated Brass

Screws Torque: 7 In-Lb

Wire Range: 18~22 AWG

Rated: 13 Amperes.AC250V

Operation Temperature: $-55^{\circ}\text{C} \sim +110^{\circ}\text{C}$

Insulation withstands volt: AC2000V min

Insulation resistance: $>1000\text{M}\Omega$ or more at DC500V