

Specifications: **DGWG84V8**

6A @ 250V

3.5mm

Features:

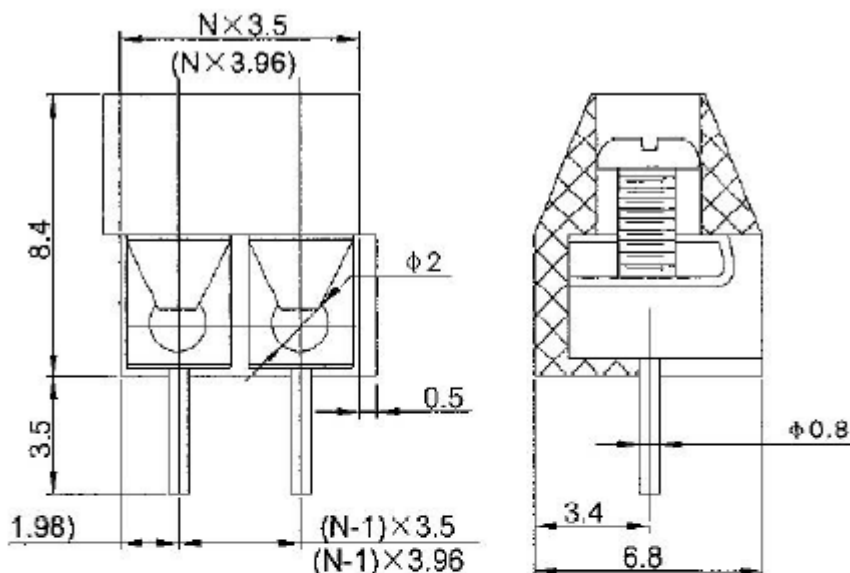
- Small 3.5mm spacing
- Modular design
- Black or Blue color available standard
- Economical wire protector termination

Electrical:

Current: 6A @ 250V  
 Wire Range: 18 to 26 AWG  
 Pin Dimension: 0.9mm  
 CR: <15mΩ  
 IR: >5000MΩ  
 Operating Temp: -40°C - +105°C  
 Stripping Length: 4.5mm  
 Torque: 2.5 lbs-in.  
 PCB holes: min 1.2mm

Materials:

Housing: Polyamide 66 UL94V-0  
 Metal Housing: Brass, CU, Tin plated  
 Wire Guard: Stainless steel  
 Terminal: Brass, Tin plated  
 Screw: M2, steel, zinc plated



N=Number of contacts

P.C.B. LAYOUT

