

**SCOPE:** This specification applies to – CCFXX006 - Plug

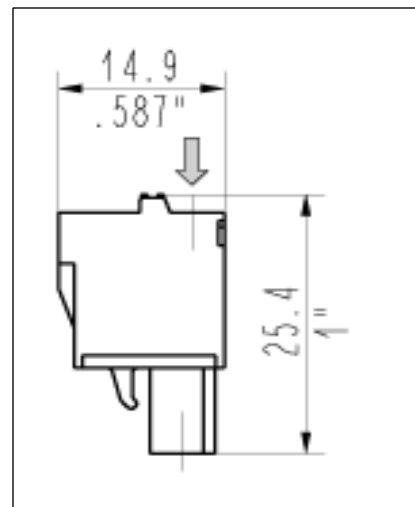
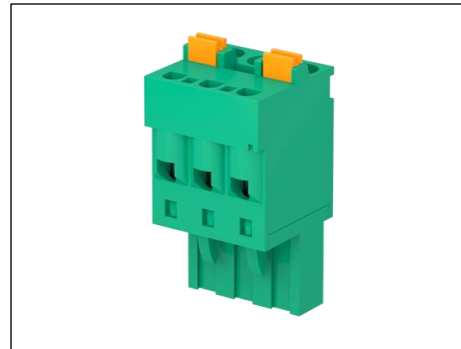


**SPECIFICATIONS:**

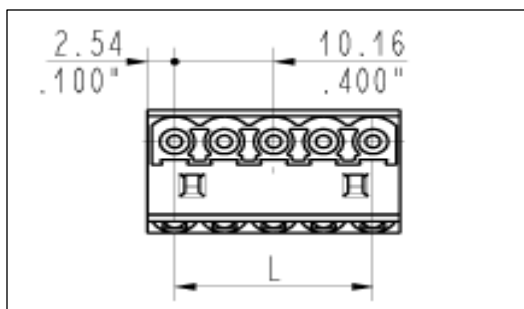
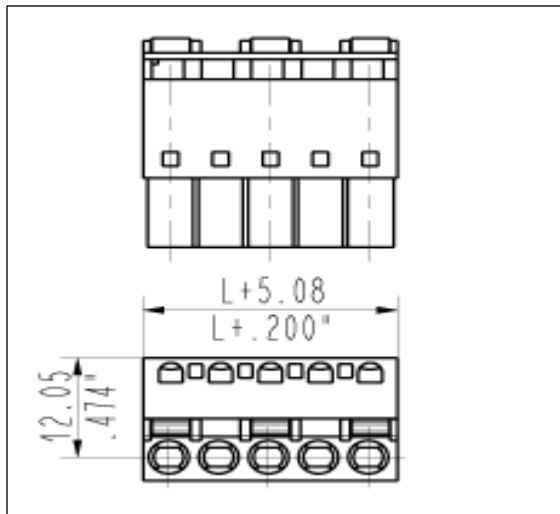
Number of poles: 2 – 8  
 Sides configuration: Side stackable  
 Pitch: 10.16 mm  
 Voltage: 600V  
 Current: 12A  
 Wire section: 0.05 - 2.5 mm<sup>2</sup> / 30 - 12 AWG  
 Available approvals: UL, IEC

Insertion force per pole: max 3N  
 Withdrawal force per pole: min 1,5N  
 Stripping length: 10 mm  
 Operating temperature range: - 40°C to +105°C  
 Contact resistance: <15 mOhm  
 Insulation resistance: >1 GOhm

Terminal contact: Tin-plated copper alloy  
 Spring tightening: Stainless steel  
 Insulating housing material: PA polyamide  
 Color: Green (Standard)



**DIMENSIONS:**



**Mates with:**

**CIM series  
 CIMH series  
 CPM series**

**BlockMaster  
 Confidential and  
 Proprietary**

**BlockMaster Electronics**  
 1400 Howard Street  
 Elk Grove Village, IL. 60007  
 Toll Free: 800-595-8881 FAX: 847-956-1690  
[www.blockmaster.com](http://www.blockmaster.com)

All dimensions are in MM unless otherwise specified

Drawing Number:  
**CCFXX006**

**Plug**

Date:  
 6/11/2017

THE INFORMATION DISCLOSED HEREIN WAS ORIGINATED BY AND IS THE PROPERTY OF BLOCKMASTER ELECTRONICS INC. AND EXCEPT FOR USE EXPRESSLY GRANTED TO THE UNITED STATES GOVERNMENT BLOCKMASTER ELECTRONICS INC. RESERVES ALL PATENT PROPRIETARY DESIGN, USE, SALE, MANUFACTURING AND PRODUCTION RIGHTS THERETO. THIS DOES NOT APPLY TO VENDOR.