

Specifications: **DGWG10R1**

Features:

- Economical wire protector products
- 2 and 3 positions modular
- Machined type inserts
- Low profile block
- Right angle wire entry
- Wire protector system
- Black and blue available as standard colors

Electrical:

Current: 10A @ 300V  
 Wire Range: 14 - 22 AWG  
 Pin dimension:  $\phi 1.00\text{mm}$   
 CR:  $>20\text{m}\Omega$   
 IR:  $>50000\text{m}\Omega$  (1000V DC)  
 Operating Tem:  $-30^\circ\text{C}$  to  $+105^\circ\text{C}$   
 Stripping Len: 4.5 - 5mm  
 Torque: 4.5 lbs-in.  
 PCB holes: Min  $\phi 1.30\text{mm}$

Materials:

Housing: PBT, UL 94V-0  
 Wire Guard: Stainless steel  
 Terminal: Brass, Tin plated  
 Screw: M2.5, steel, zinc plated  
 Colors: Black and Blue

Marking:

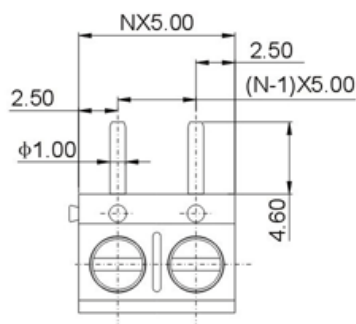
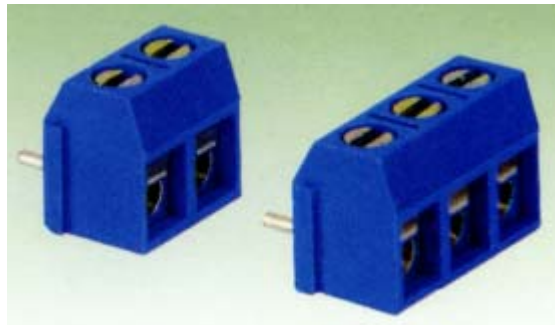
Adhesive marking strips not available.  
 Ink marking available by request.

Ordering Information:

	Positions		Color
DGWG10R1	-	<input type="text"/>	- <input type="text"/>

10A 300V

5 mm and 10.0mm



PCB LAYOUT

