

**SCOPE:** This specification applies to – MTSXX099 – Terminal Block

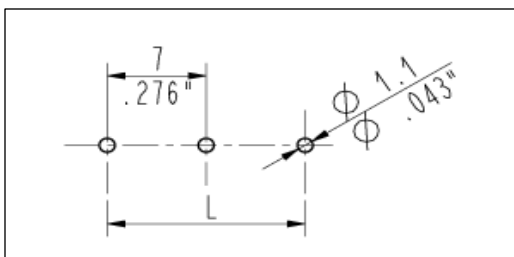
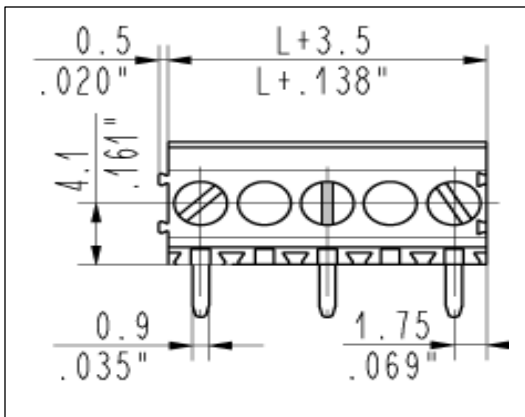
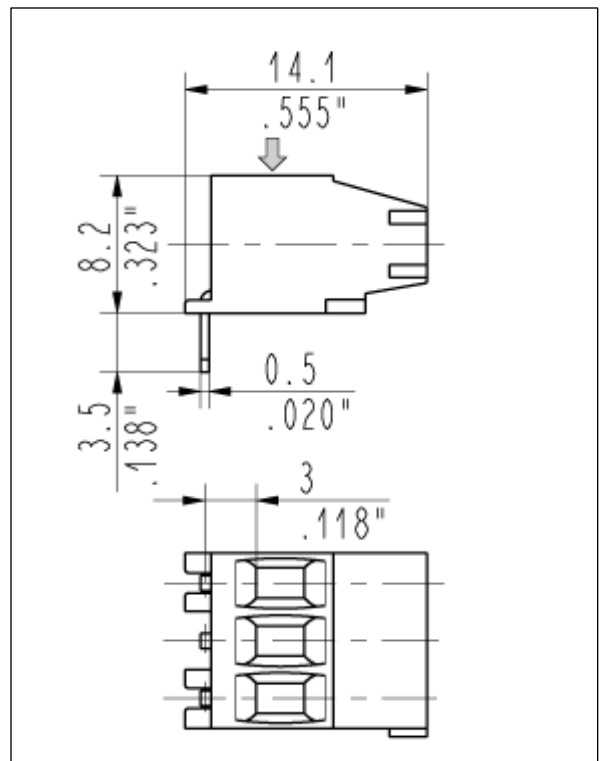
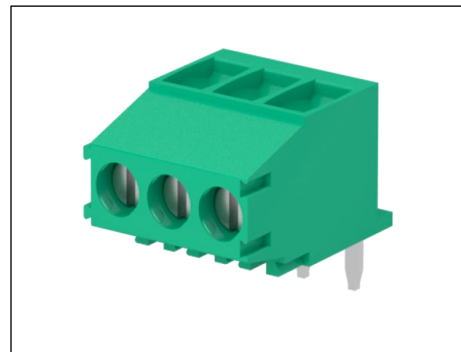
**SPECIFICATIONS:**

Number of poles: 2 – 25  
 Sides configuration: Right angle, side stackable  
 Pitch: 7 mm  
 Voltage: 300V  
 Current: 12A  
 Wire section: 0.05 - 1.5 mm<sup>2</sup> / 30 - 14 AWG  
 Available approvals: UL, VDE, IMQ, CSA

Screw dimensions: M2  
 Recommended tightening Torque: 0.2 Nm  
 PCB thickness: 2.4 mm  
 PCB hole diameter: 1.1 mm  
 Stripping length: 6 mm  
 Operating temperature range: -40°C to + 110 °C  
 Contact resistance: <15 mOhm  
 Insulation resistance: >1 GOhm

Screw material: Nickel-plated copper alloy  
 Terminal contact: Nickel and tin on copper alloy  
 Clamp tightening: Nickel-plated copper alloy  
 Insulating housing material: PA polyamide  
 Color: Green (Standard)

**DIMENSIONS:**



<p align="center"><b>BlockMaster</b> Confidential and Proprietary</p>	<p align="center"><b>BlockMaster Electronics</b> 1400 Howard Street Elk Grove Village, IL. 60007 Toll Free: 800-595-8881 FAX: 847-956-1690 <a href="http://www.blockmaster.com">www.blockmaster.com</a></p>
<p align="center">All dimensions are in MM unless otherwise specified</p>	
<p align="center">Drawing Number: <b>MTSXX099</b></p>	<p align="center"><b>Terminal Block</b></p>
<p>Date: 6/11/2017</p>	<p><small>THE INFORMATION DISCLOSED HEREIN WAS ORIGINATED BY AND IS THE PROPERTY OF BLOCKMASTER ELECTRONICS INC. AND EXCEPT FOR USE EXPRESSLY GRANTED TO THE UNITED STATES GOVERNMENT BLOCKMASTER ELECTRONICS INC. RESERVES ALL PATENT PROPRIETARY DESIGN, USE, SALE, MANUFACTURING AND PRODUCTION RIGHTS THERETO. THIS DOES NOT APPLY TO VENDOR.</small></p>