

High Power Rugged PCB & Surface Mount Screw Terminals

HIGH POWER RUGGED STRAIGHT & RIGHT ANGLE CONNECTORS 25 TO 150 AMP SURFACE MOUNT & THRU HOLE PCB SCREW TERMINALS

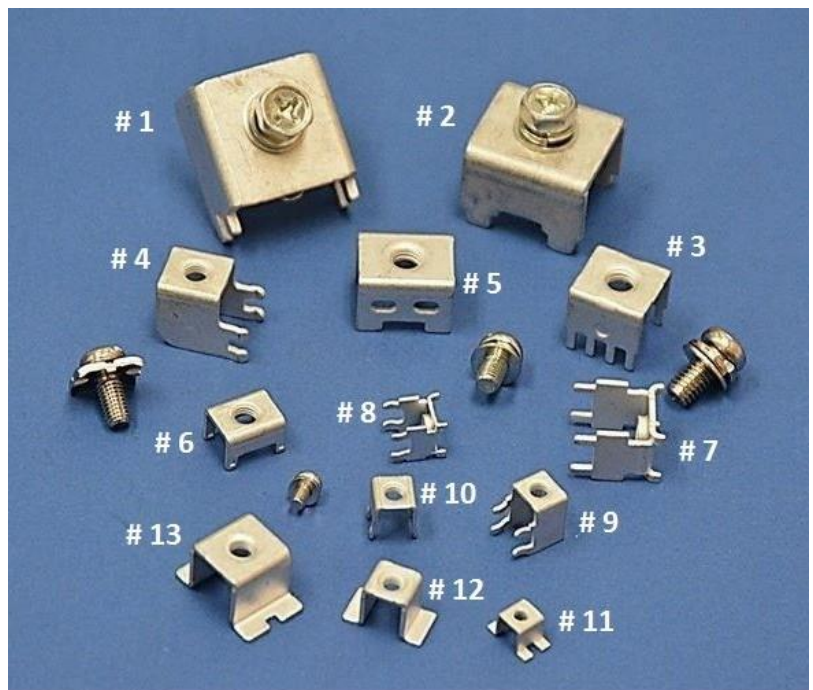
BlockMaster's new 25 to 150 amp PCB screw terminals are suitable for today's requirements of high current terminations on printed circuit boards. Available in both straight and right angle versions surface mount and thru hole. They can be supplied with or without screws. Detailed technical information available from BlockMaster.

Features

- Rugged high current applications
- Items # 3—13 hardware is optional
- Items # 1 & 2 include a metric screw, and both a flat & lockwasher
- Available with or without screws
- RoHS compliant
- Brass/tin plated
- Copper/tin plated (OT-201)
- Anti-Rotation feature for ring & spade lugs available on select part numbers

Typical Applications

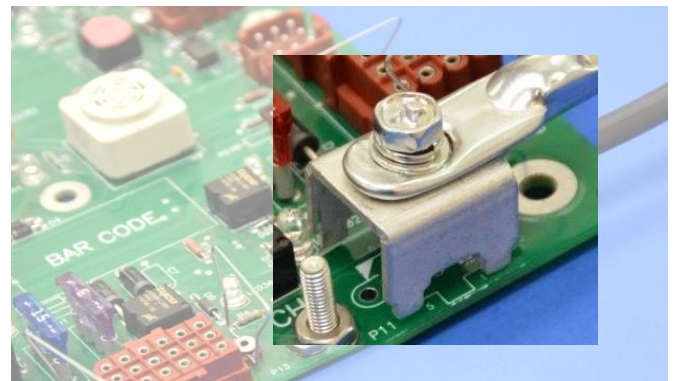
- Power Supplies
- Solar Power
- Inverters
- Motor Controls
- Battery Chargers
- Automotive/Off Road/Marine/Forklifts/Buses



Thru Hole P/N Table

PART NUMBER	RATING	STYLE	ITEM NO.
OT-009-M3/M4	25A	Straight P.C.	10
OT-010-M4	25A	Right Angle P.C.	9
OT-047-M4	30A	Straight P.C.	8
OT-048-M5	60A	Straight P.C.	7
OP-055-M5-L1/L2	80A	Straight P.C.	6
OP-487-M6	100A	Straight P.C.	5
OP-075-M5	110A	Right Angle P.C.	4
OT-016-M5/M6-L8/L10	120A	Straight P.C.	3
OT-200-M6-L15/L22*	150A	Straight P.C.	2
OT-201-M6/M8*	150A	Right Angle P.C.	1

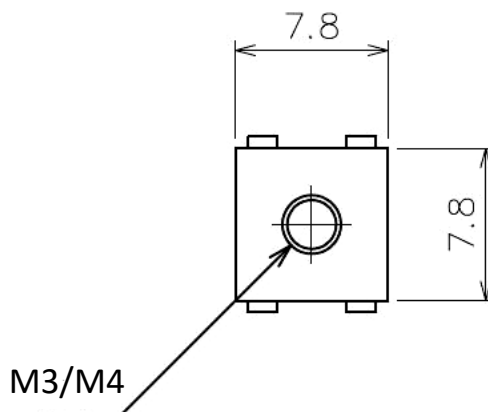
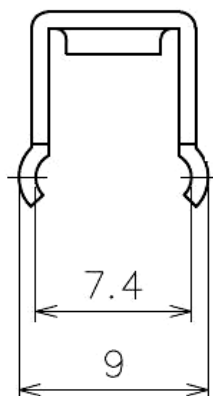
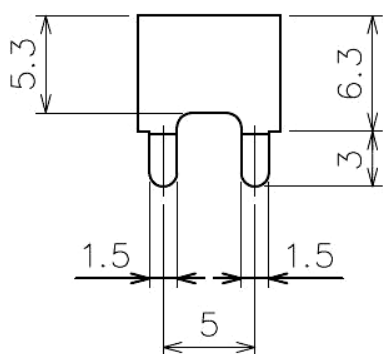
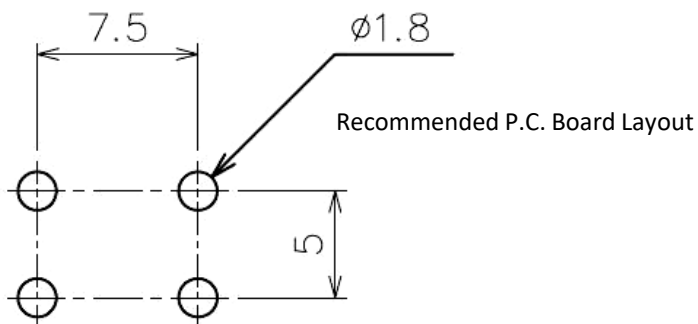
Typical P.C. Board Termination



*Includes screw, flat & lockwasher

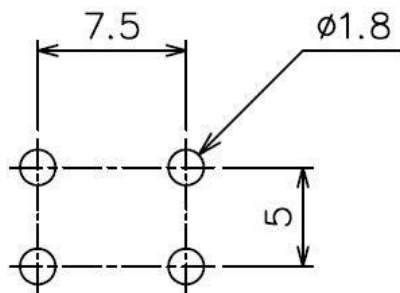
OT-009-M3/M4

25A
Straight P.C.

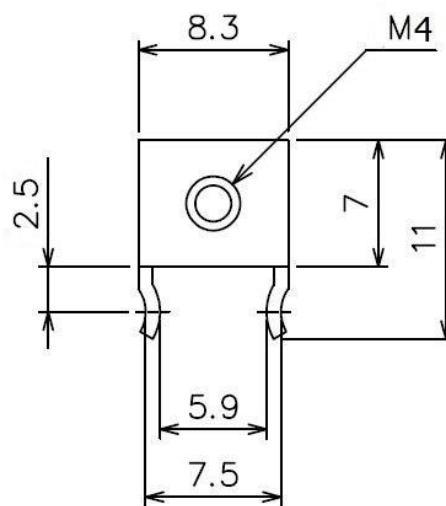
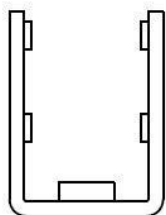
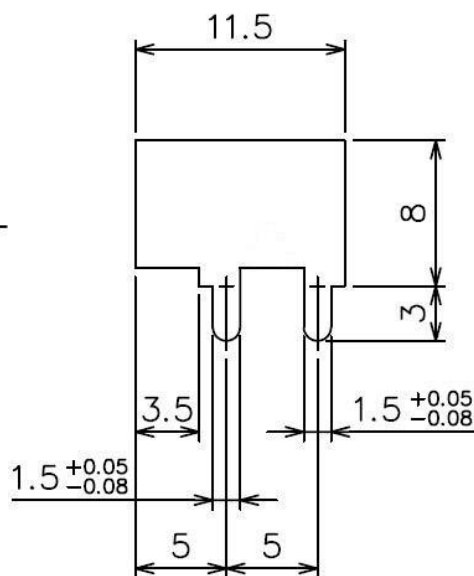


OT-010-M4

25A
Right Angle P.C.



Recommended P.C. Board Layout



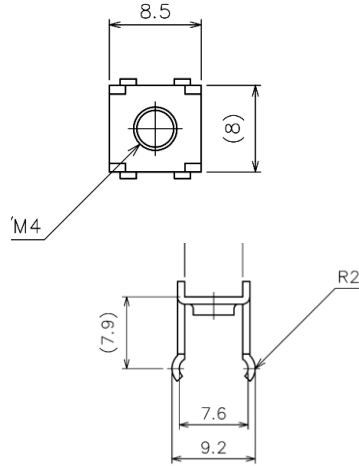
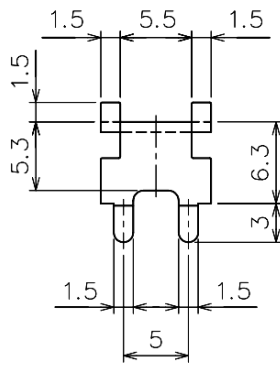
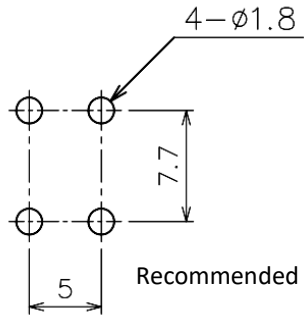
BLOCK MASTER BLOCKS
World Class Terminal Blocks

1400 Howard Street Phone: (847) 956-1680
Elk Grove Village, IL 60007 Fax: (847) 956-1690

www.BlockMaster.com

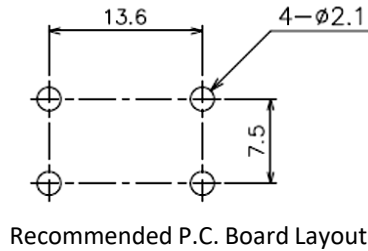
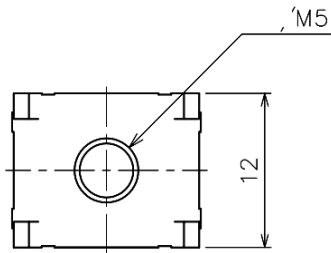
OT-047-M4

30A
Straight P.C.

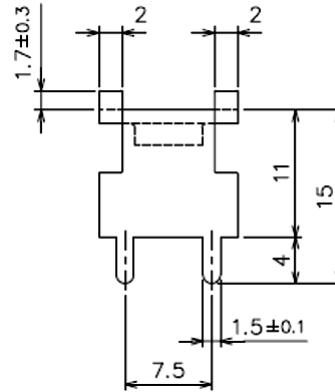
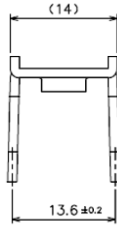


OT-048-M5

60A
Straight P.C.



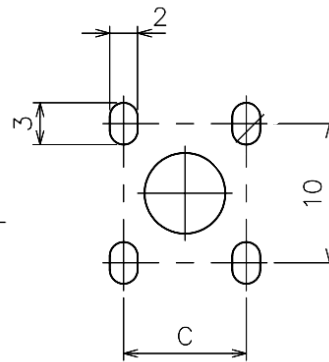
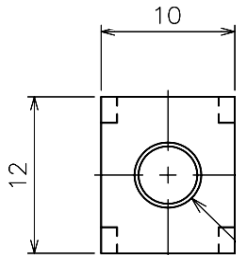
Recommended P.C. Board Layout



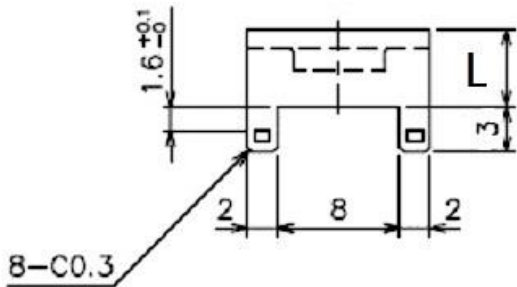
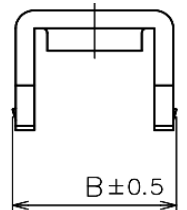
OP-055-M5-L1/L2

80A
Straight P.C.

No.	L	B	C
L1	5.0	10.4	9.2
L2	31.5	12.4	10.8



Recommended P.C. Board Layout

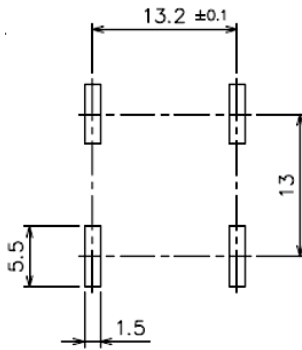
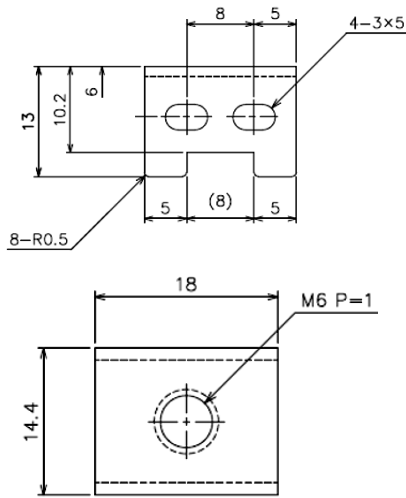
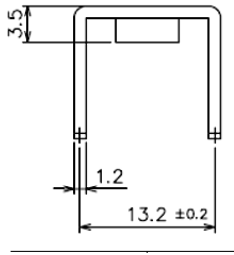


1400 Howard Street Phone: (847) 956-1680
Elk Grove Village, IL 60007 Fax: (847) 956-1690

www.BlockMaster.com

OP-487-M6

100A
Straight P.C.

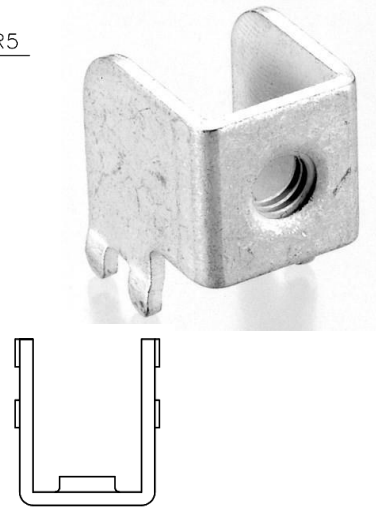
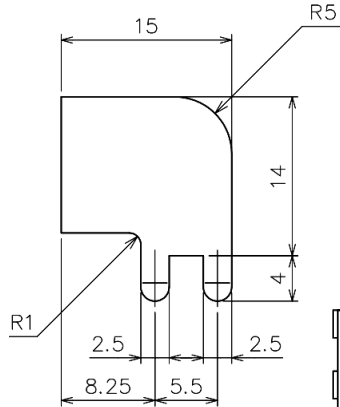
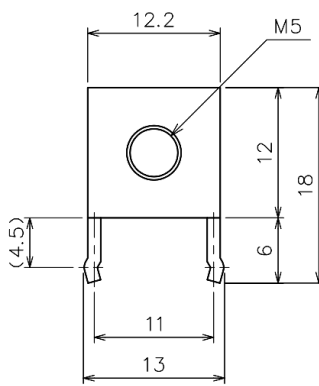
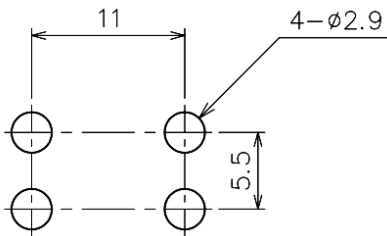


Recommended P.C. Board Layout



OP-075-M5

110A
Right Angle P.C.

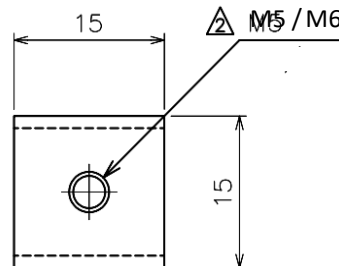
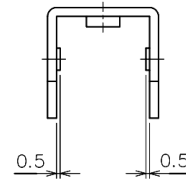
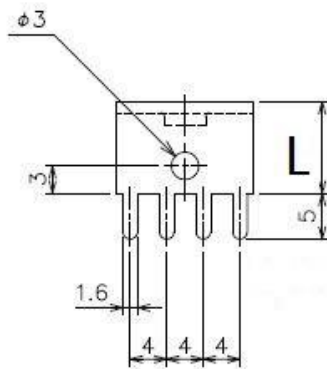
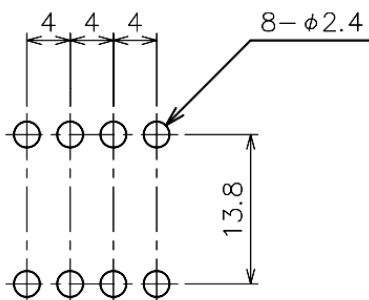


Recommended P.C. Board Layout

OT-016-M5/M6-L8/L10

120A
Straight P.C.

No.	L
L8	8 mm
L10	10 mm



Recommended P.C. Board Layout



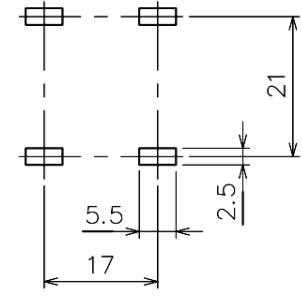
1400 Howard Street Phone: (847) 956-1680
Elk Grove Village, IL 60007 Fax: (847) 956-1690

www.BlockMaster.com

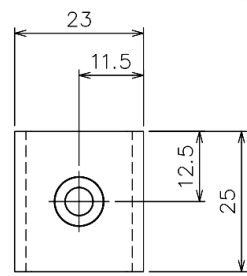
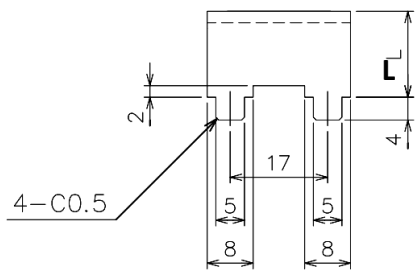
OT-200-M6-L15/L22

150A
Straight P.C.

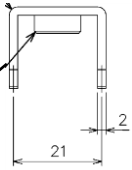
No.	L
L15	15 mm
L22	22 mm



Recommended P.C. Board Layout

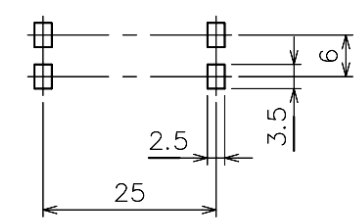


M6 Fastener

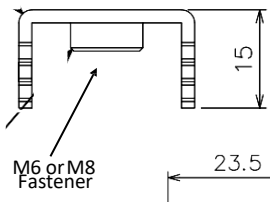
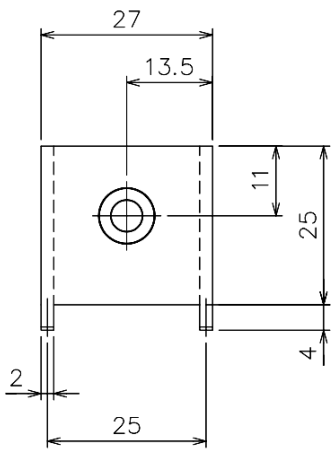


OT-201-M6/M8

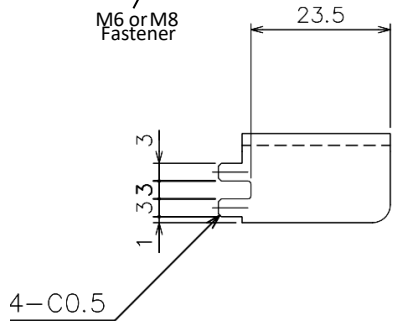
150A
Right Angle P.C.



Recommended P.C. Board Layout



M6 or M8 Fastener



Screws Available (Includes Flat & Lockwasher)

SCREW SIZE	PART NO.	DIMENSION	MATERIAL	PLATING
M3	P06	M3x6L	Steel	Nickel
M4	P38	M4x8L	Steel	Nickel
M4	P26	M4x8L	Brass	Nickel
M5	P50	M5x10L	Brass	Nickel
M5	P51	M5x10L	Steel	Trivalent
M5	P57	M5x10L	Steel	Trivalent
M5	P60	M5x12L	Brass	Nickel
M6	A01	M6x14L	Steel	Trivalent
M6	P70	M6x12L	Brass	Nickel
M8	A03	M8x10L	Steel	Trivalent



1400 Howard Street Phone: (847) 956-1680
Elk Grove Village, IL 60007 Fax: (847) 956-1690

www.BlockMaster.com

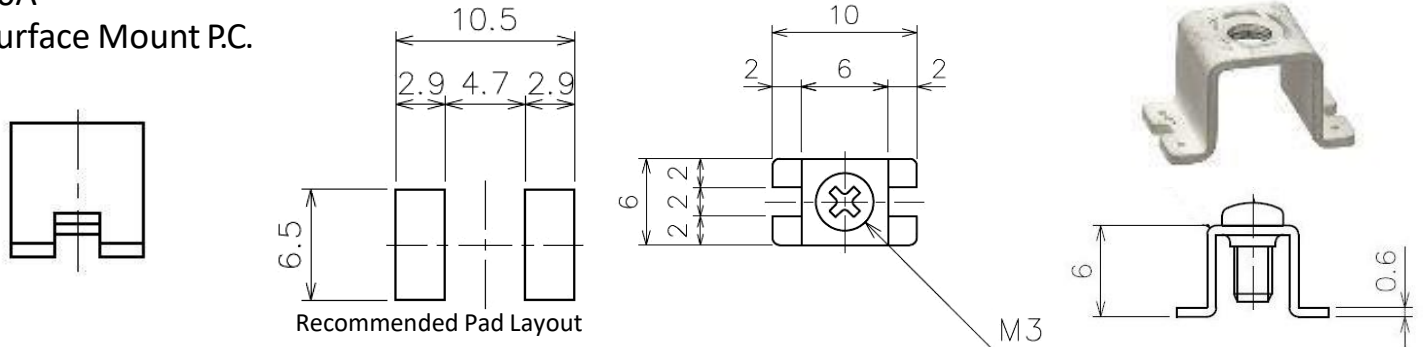
High Power Rugged Surface Mount Screw Terminals

Surface Mount P/N Table

PART NUMBER	RATING	STYLE	ITEM NO.
OT-002-M3	10A	Surface Mount P.C.	11
OT-003-M4-L8/L10	30A	Surface Mount P.C.	12
OT-004-M5	85A	Surface Mount P.C.	13

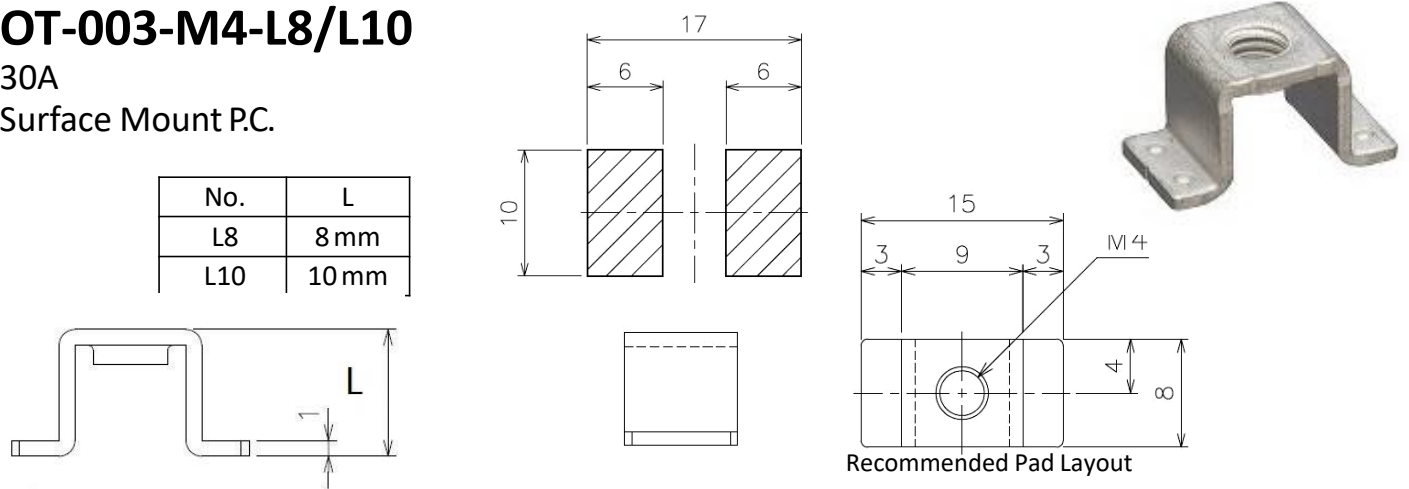
OT-002-M3

10A
Surface Mount P.C.



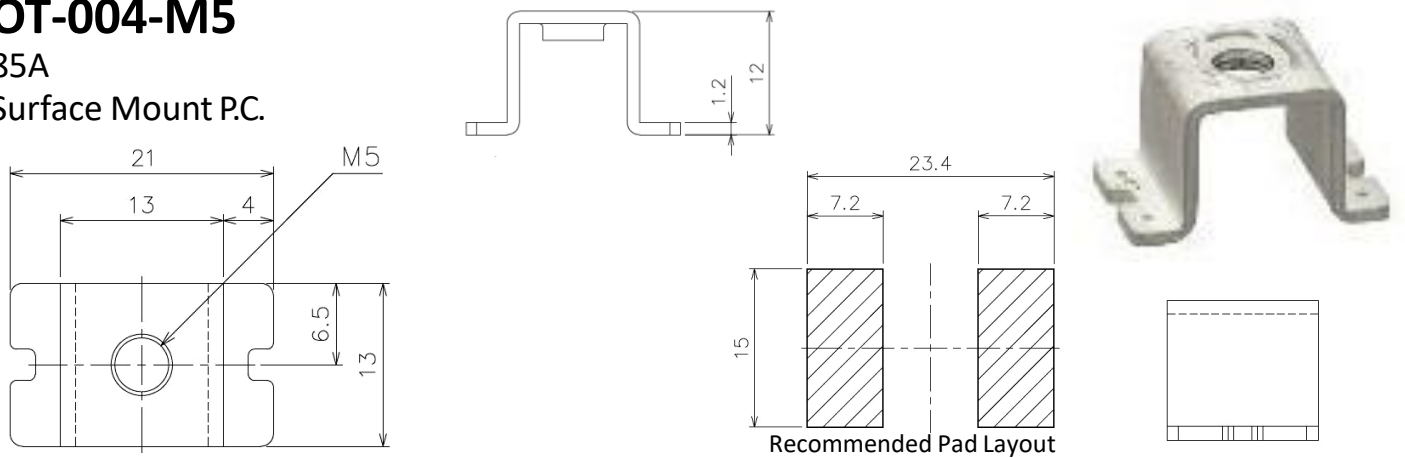
OT-003-M4-L8/L10

30A
Surface Mount P.C.



OT-004-M5

85A
Surface Mount P.C.



1400 Howard Street Phone: (847) 956-1680
Elk Grove Village, IL 60007 Fax: (847) 956-1690

www.BlockMaster.com