

# HIGH POWER DISTRIBUTION SERIES

DIN RAIL CONNECTOR POWER BLOCK 600 VOLTS / 90 AMPS

**PART #:**

**HP-RTG-C**

**Type:**

Panel

**Features:**

3 Poles

**Applications:**

Suitable for:

Panels

CNC Equipment

Standby Generators

Switch Gear

HVAC Equipment

Water Pumps

**Electrical**

**Rated Voltage:**

600V

**Rated Current:**

90A

**Screw Size / Torque**

**Line** ¼-28 UNF Slot

2-12 AWG 32 LB/IN

**Load** ¼-28 UNF Slot

2-12 AWG 32 LB/IN

**Operating Temperature:**

-25°C to +150°C

**Materials**

**Housing:**

PA 66 (UL 94V-0)

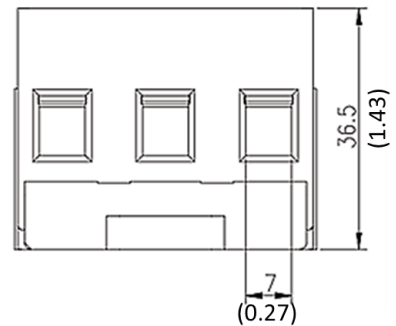
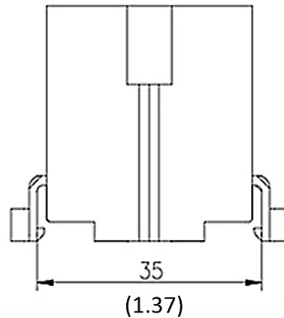
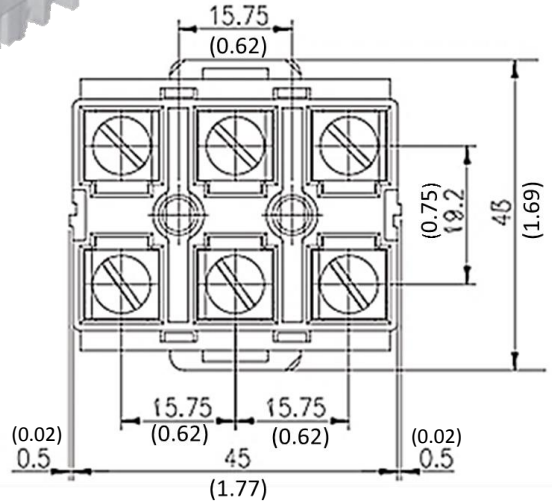
**Terminals:**

Copper - Current Conducting Plate

Stainless Steel - Terminal Frame

**Withstanding Voltage:**

AC 2,500V



**PART NUMBER:**

**HP-RTG-C**



1400 Howard Street Phone: (847) 956-1680  
Elk Grove Village, IL 60007 Fax: (847) 956-1690

[www.BlockMaster.com](http://www.BlockMaster.com)