

# HIGH POWER PANEL DISTRIBUTION SERIES

PANEL DISTRIBUTION POWER BLOCK

600 VOLTS/175 AMPS

## SERIES

### HP-ATB-175-6

#### Type:

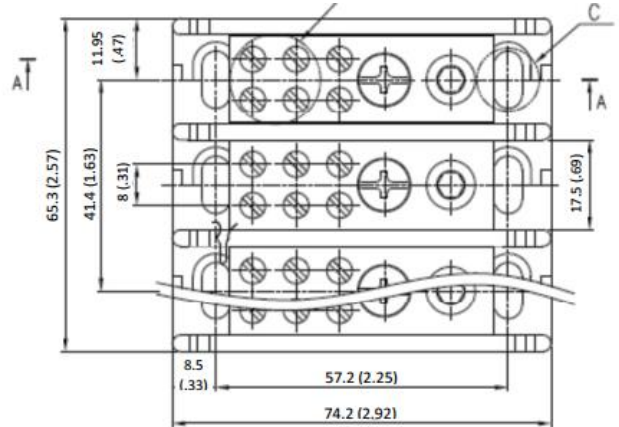
Panel Distribution Power Block with Safety Cover

#### Features:

3 Poles  
Opaque Hinged Safety Cover

#### Applications:

Suitable for:  
Panels  
HVAC Equipment  
Pump Control Panels  
Switch Gear  
Lighting Panels



#### Electrical

#### Rated Voltage:

600V

#### Rated Current:

175A

#### Torque

Line AL 7/16 – 20 UNF 3/16 Hex

2/0~6 AWG 110 LB/IN

8 AWG 40 LB/IN

10 – 14 AWG 35 LB/IN

Load 4~14AWG 26 LB/IN

#### Operating Temperature:

-25°C to +125°C

#### Materials

#### Housing:

PBT (UL94V-0)

#### Cover:

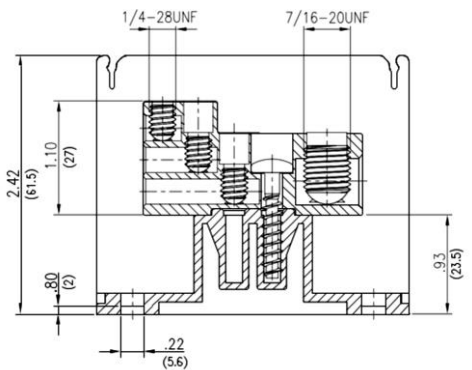
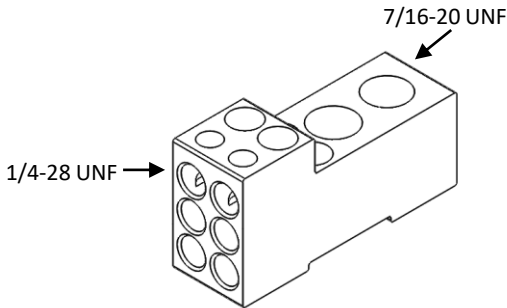
Polycarbonate (UL94V-0)

#### Terminals:

Aluminum

#### Withstanding Voltage:

AC 2,500 V



Presenting BlockMaster Electronics' High Output Power series panel-distribution terminal blocks. The HP-ATB-175-6 provides a convenient means of transitioning larger gauge, high-power mains up to six smaller gauge lower-power branch circuits.

Block Master's HP-ATB-175-6 Series offers a convenient way to interface between your supply #2/0~14 AWG (175A) for example up to six #4~14 AWG (15-85A) and internally distribute smaller gauge branch wire circuits. Perfect for all type of panel applications. Comes standard with a hinged cover.

## HOW TO ORDER:

HP-ATB-175-6 -  P -  CL1  
 ↓  
 01-03 Poles Opaque Hinged Cover (Optional)



1400 Howard Street Phone: (847) 956-1680  
 Elk Grove Village, IL 60007 Fax: (847) 956-1690

[www.BlockMaster.com](http://www.BlockMaster.com)